

Do it Yourself Door & Window Parts Repair Catalog

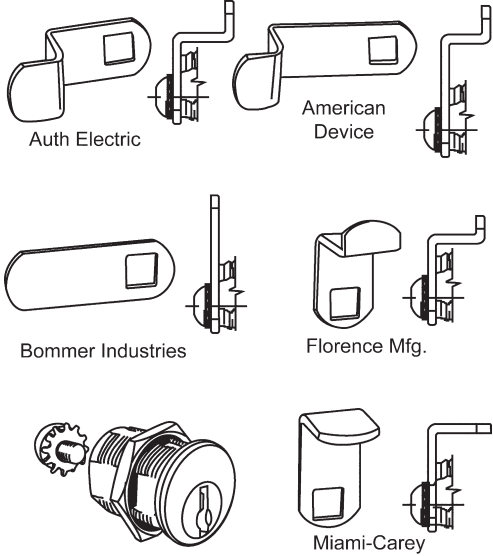
Mail Box Locks

Multi-Cam Mail Box Lock Kits

97-16

For Interior Mail Boxes
Bright Nickel Finish

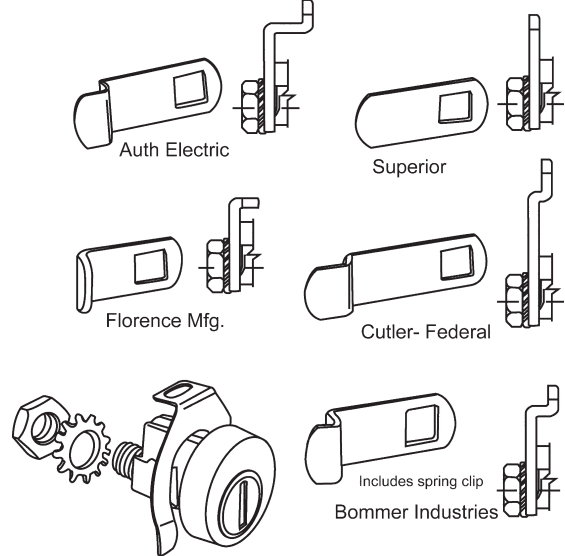
Nut mounted lock meets specifications established by the U.S. Postal Service. Counter clockwise cam turn to open. Furnished with two keys, five different cams shown below, cam screw, mounting nut and instructions. Assemble with cam that matches lock. Keyway NA 12



97-17

For Outside Mail Boxes
Bright Nickel Finish

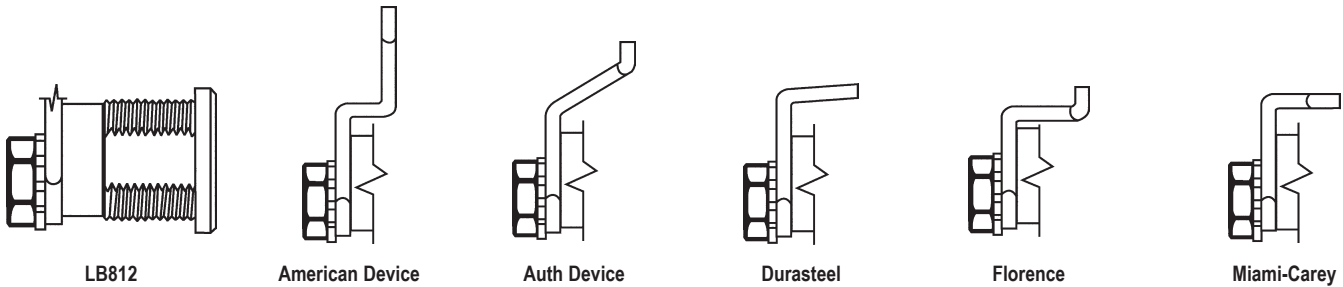
Keyway Dust Shutter protects mechanism from the elements. Lock has dual slots for mounting indoor using spring clip. Clockwise cam turn to open. Furnished with three keys, five different cams shown below, nut, lock washer, spring clip and instructions. Assemble with cam that matches present lock. Keyway NA 14



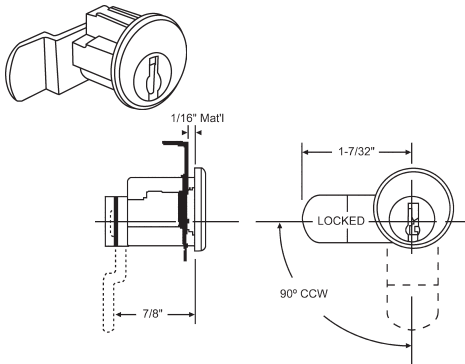
97-28

Replacement for Hudson #PT812

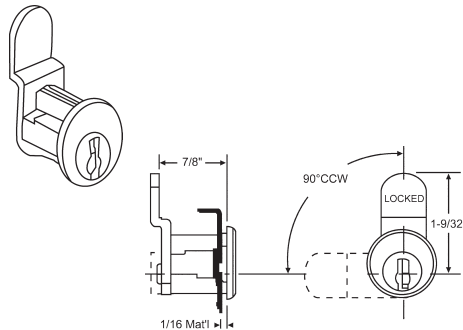
Multi-Cam Mail Box Lock Kit a suitable replacement for hudson #PT812. Hex nut mounted. Meets U.S. Postal Service specifications. 90° CCW cam rotation. Key removable in locked position only. Furnished with 3 keys, 5 cams, and all necessary mounting hardware. Keyway HL 1 - Nickel finish



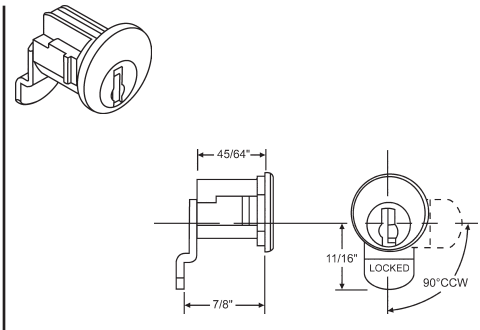
Fixed Cam Mail Box Locks



97-1
Bommer. Bright Chrome
Locked Cam Position - Left



97-2
Bommer. Bright Chrome
Locked Cam Position - Up

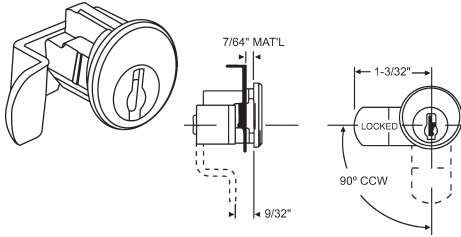


97-3
Bommer. Bright Chrome
Locked Cam Position - Down

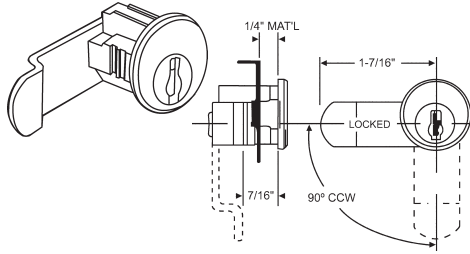
Do it Yourself Door & Window Parts Repair Catalog

Mail Box Locks

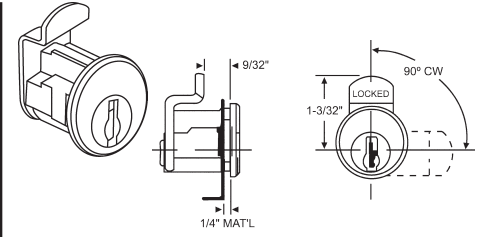
Fixed Cam Mail Box Locks



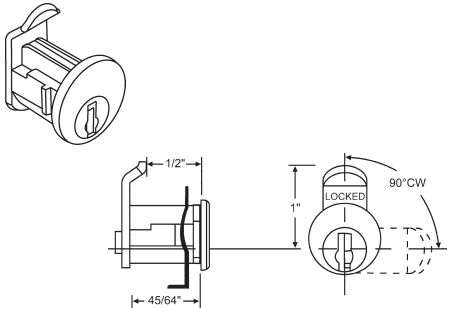
97-4
Auth Electric - Bommer. Bright Nickel.
Locked Cam Position - Left



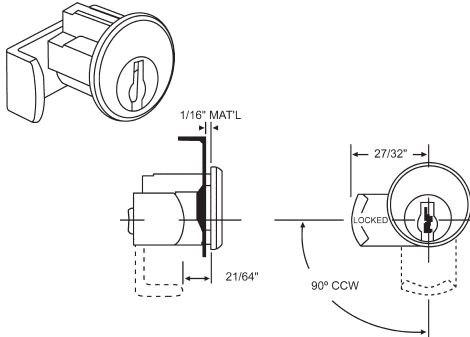
97-5
American Devices. Bright Chrome
Locked Cam Position - Left



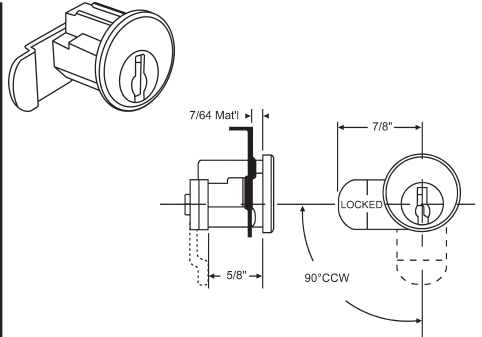
97-6
Florence Mfg. Bright Chrome.
Locked Cam Position - Up



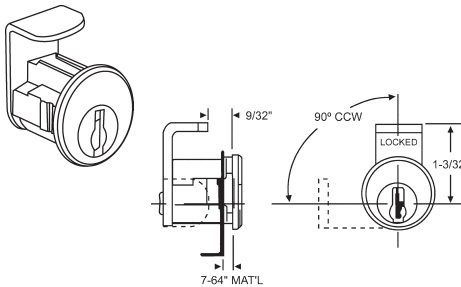
97-7
S.C. Couch. Bright Chrome
Locked Cam Position - Up



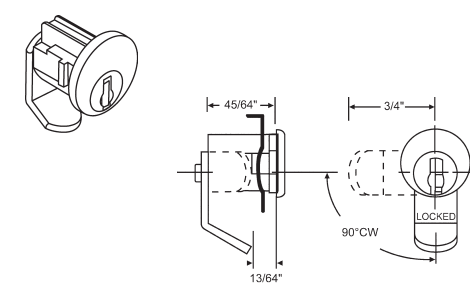
97-8
Nutone. Bright Chrome
Locked Cam Position - Left



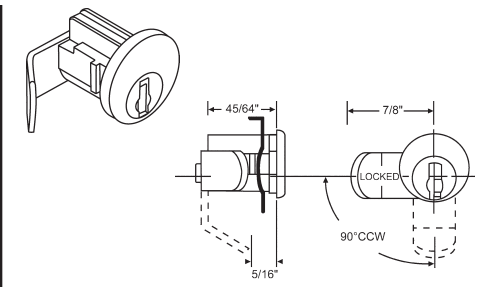
97-9
Cutler Mail Chute. Bright Chrome
Locked Cam Position - Left



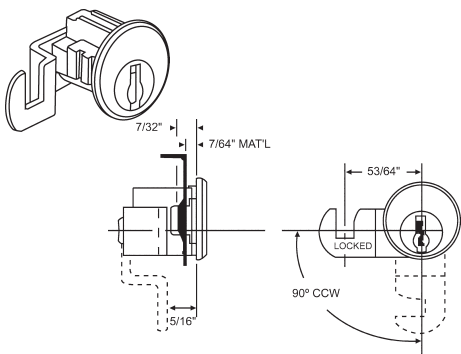
97-10
Miami Carey. Bright Chrome
Locked Cam Position - Up



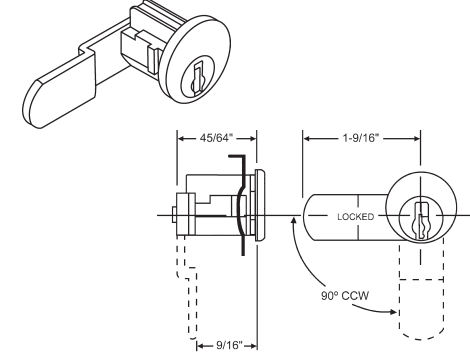
97-13
Dura Steel SL202. Bright Chrome
Locked Cam Position - Down



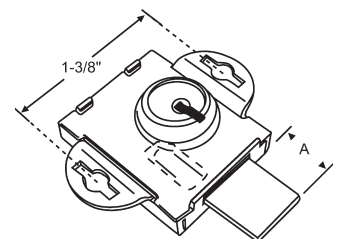
97-14
Jensen General. Bright Chrome
Locked Cam Position - Left



97-15
Bommer - Hookcam. Bright Chrome
Locked Cam Position - Left



97-20
Cutler Federal. Bright Chrome
Locked Cam Position - Down



Part #	"A"
97-18	1/4"
97-19	1/2"

Replaces: Eagle #2616 1/4C, Ilco #4070A
Fits: Auth, United, Florence. Bright Brass Finish
Furnished with Two Keys.