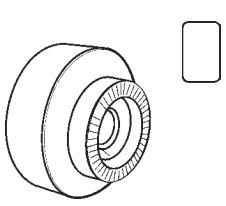
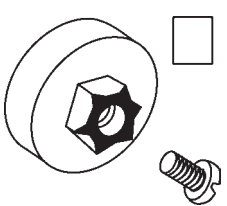


SHOWER DOOR ROLLERS



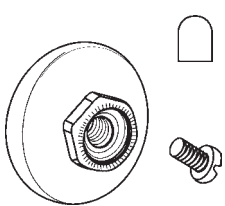
Part #	Dia.	Wide	Hub
900-18675	5/8"	1/4"	13/32"

Steel Hub, Hex End, Flat Plastic Wheel



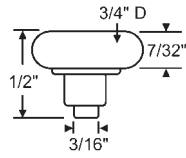
Part #	Dia.	Wide	Hub
21-50-2	3/4"	1/4"	3/8"

Nylon
Pack of two with screws

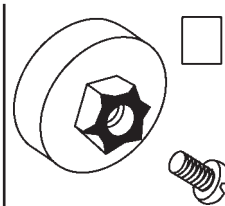


Part #	Dia.	Wide	Hub
21-51-2	3/4"	1/4"	3/8"

Nylon
Pack of two with screws

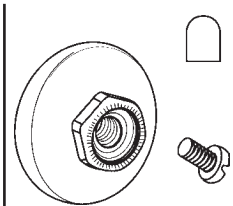


1081P



Part #	Dia.	Wide	Hub
21-66-2	7/8"	1/4"	3/8"

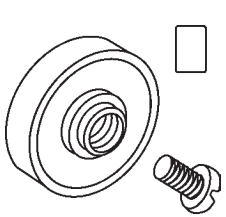
Nylon
Pack of two with screws



Part #	Dia.	Wide	Hub
21-52-2	7/8"	5/16"	3/8"

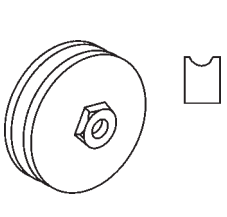
Nylon
Pack of two with screws

ROLLER ASSEMBLIES



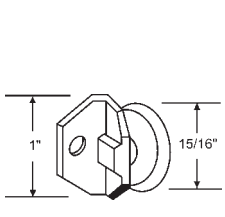
Part #	Dia.	Wide	Hub
21-53	1-1/16"	7/32"	9/32"

Nylon
21-53S for Screw Only.

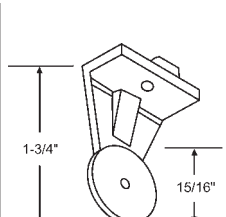


Part #	Dia.	Wide	Hub
21-69BR	1"	1/4"	3/8"

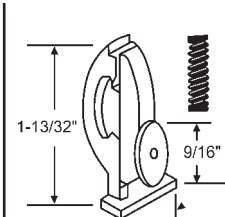
Celcon
8-32 Thread



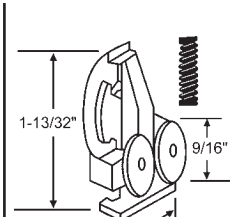
21-63
Nylon
TUBMASTER



21-64
Shower Door Roller with Bracket Nylon
TUBMASTER

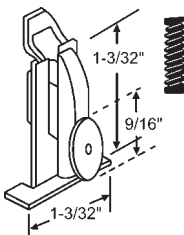


21-60
Shower Roller. 1 Wheel Nylon

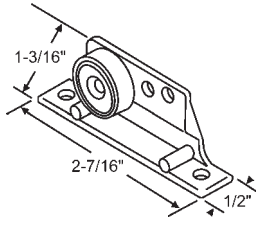


21-59
Shower Door Roller Nylon

ADJUSTING ROLLER ASSEMBLIES

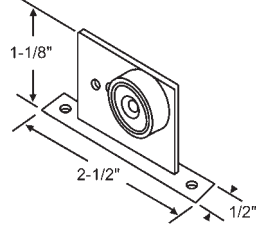


21-62
Shower Door Roller Nylon w/Aluminum Bracket

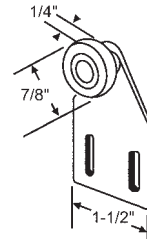


Part #	Roller	Handed
21-57	21-50	Shown

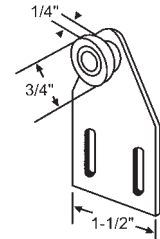
No Longer Available
Use: 21-57NS and 21-58NS



Part #	Roller
21-57NS	21-50
21-58NS	21-51

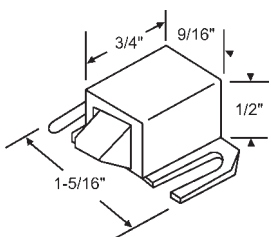


21-54
Door Roller with Bracket

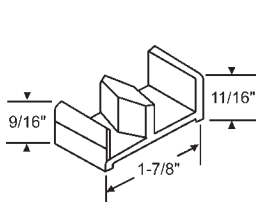


21-56
Door Roller with Bracket Roller Only 21-50

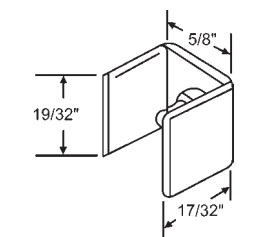
LATCH



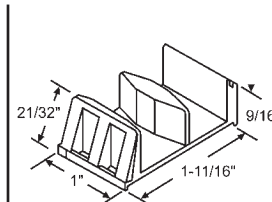
22-54
Stainless Steel Housing



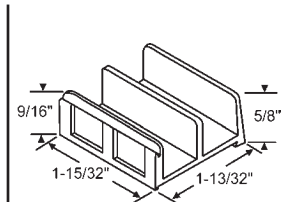
22-50
Nylon



22-51
Nylon



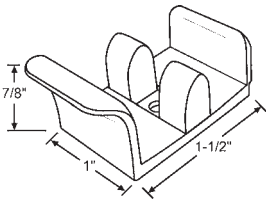
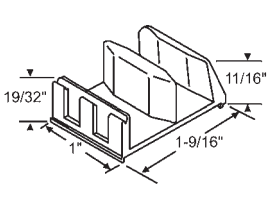
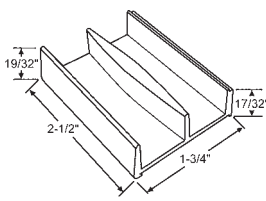
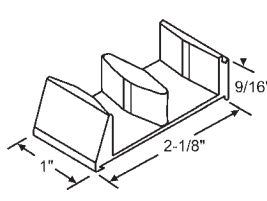
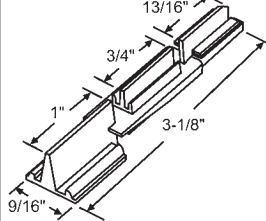
900-6426
Open Track Guide



900-17327

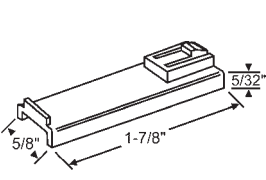
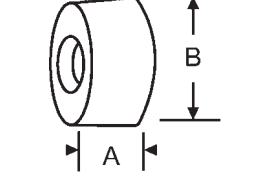
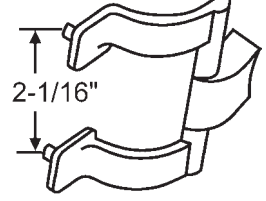
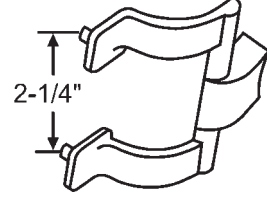
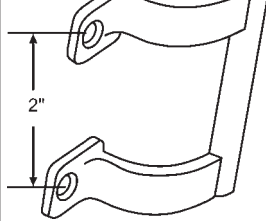
SHOWER DOOR GUIDES

SHOWER DOOR GUIDES

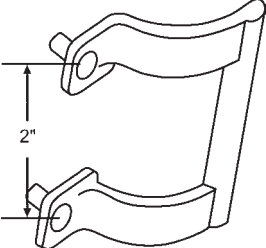
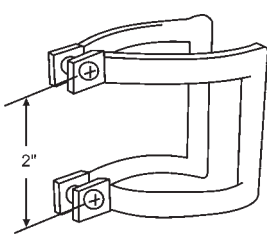
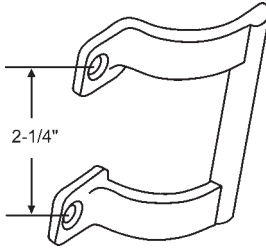
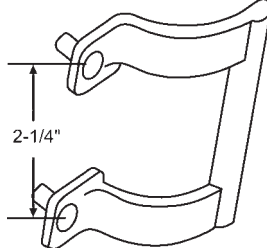
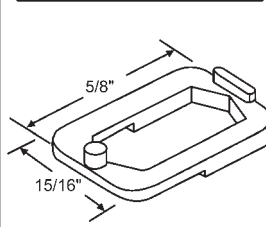
 <p>22-113 White Nylon KELLER</p>	 <p>900-17497</p>	 <p>22-141 White Nylon PETERSON</p>	 <p>900-10563</p>	 <p>22-203 Bottom Guide Nylon</p>
--	---	--	--	---

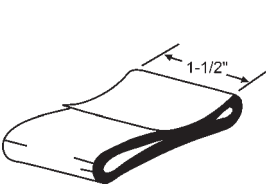
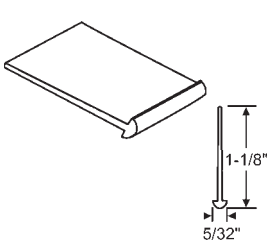
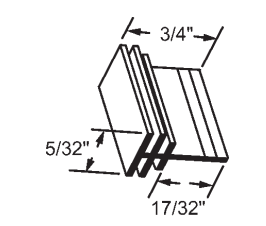
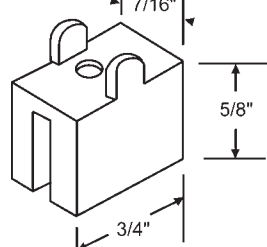
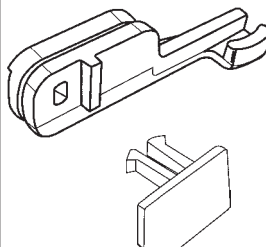
BUMPERS

SHOWER DOOR HANDLES

 <p>900-6779 White. Nylon</p>	 <table border="1"> <thead> <tr> <th>Part #</th> <th>A</th> <th>B</th> <th>Finish</th> </tr> </thead> <tbody> <tr> <td>16-105</td> <td>3/8"</td> <td>15/16"</td> <td>Gray</td> </tr> <tr> <td>16-107</td> <td>7/32"</td> <td>3/4"</td> <td>White</td> </tr> <tr> <td>22-65</td> <td>1/4"</td> <td>3/4"</td> <td>Clear</td> </tr> </tbody> </table>	Part #	A	B	Finish	16-105	3/8"	15/16"	Gray	16-107	7/32"	3/4"	White	22-65	1/4"	3/4"	Clear	 <p>22-83 Chrome Handle with Towel Bar Insert</p>	 <p>900-10709 Chrome</p>	 <p>22-67 Chrome No Longer Available. Use: 22-67PA</p>
Part #	A	B	Finish																	
16-105	3/8"	15/16"	Gray																	
16-107	7/32"	3/4"	White																	
22-65	1/4"	3/4"	Clear																	

SHOWER DOOR ACCESSORIES

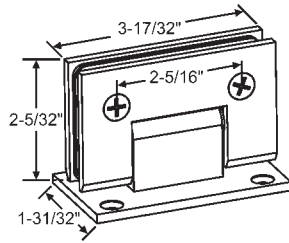
 <p>22-67P Chrome</p>	 <p>22-67PA Shower Door Handle Set Chrome Plated with Screws. Complete Bracket Assembly</p>	 <p>900-9079 Chrome</p>	 <p>900-10496 Chrome</p>	 <p>900-6060 Adjusting Bracket</p>
---	---	---	---	--

 <p>22-52 Shower Door Seal Gray. 36" Long</p>	 <p>22-103 1-1/8" Shower Door Sweep Sold by the Foot in 6' Lengths.</p>	 <p>900-15993 36" Shower Door Sweep Used on Hinged Shower Doors Gray Vinyl</p>	 <p>22-60 Hinge Guide</p>	 <p>22-71A Slide Guide with Pin</p>
---	---	--	--	---

SHOWER DOOR HINGES

Standard Duty & Solid Brass

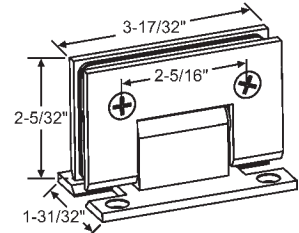
Square Edge



Part #	Finish
22-244BCH	Bright Chrome
22-244BNK	Brushed Nickel

Solid brass shower hinge, stainless steel, standard full back plate, clear PVC gasket. Includes Philips screws, Allen screws and Allen key.
Wall to glass 90°
Suitable for glass 8 - 12 mm

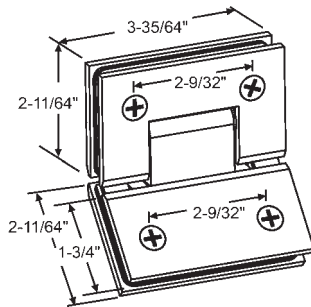
Square Edge



Part #	Finish
22-244BCH-H	Bright Chrome
22-244BNK-H	Brushed Nickel

Solid brass shower hinge, stainless steel, H back plate, clear PVC gasket. Includes Philips screws, Allen screws and Allen key.
Wall to glass 90°
Suitable for glass 8 - 12 mm

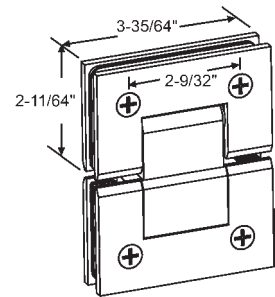
Square Edge



Part #	Finish
22-249BCH	Bright Chrome
22-249BNK	Brushed Nickel

Solid brass shower hinge, stainless steel, clear PVC gasket. Includes Philips screws, Allen screws and Allen key.
Glass to glass 135°
Suitable for glass 8 - 12 mm

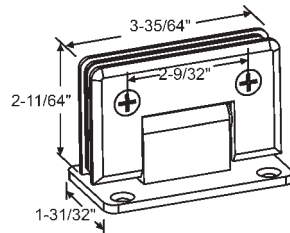
Square Edge



Part #	Finish
22-245BCH	Bright Chrome
22-245BNK	Brushed Nickel

Solid Brass Shower hinge, stainless steel, clear PVC gasket. Includes Philips screws, Allen screws and Allen key.
Glass to glass 180°
Suitable for glass 8 - 12 mm

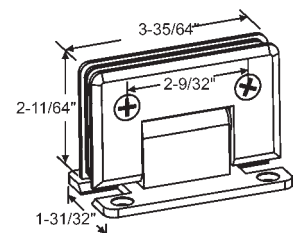
Beveled Edge



Part #	Finish
22-272BCH	Bright Chrome
22-272BNK	Brushed Nickel

Standard duty brass shower hinge, stainless steel, full back plate, clear PVC gasket. Includes Philips screws, Allen screws and Allen key.
Wall to glass 90°
Suitable for glass 8 - 12 mm

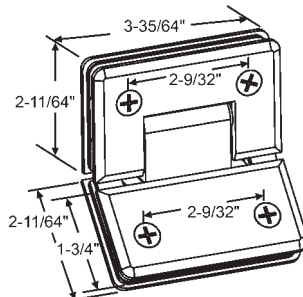
Beveled Edge



Part #	Finish
22-273BCH	Bright Chrome
22-273BNK	Brushed Nickel

Standard duty brass shower hinge, stainless steel, H back plate, clear PVC gasket. Includes Philips screws, Allen screws and Allen key.
Wall to glass 90°
Suitable for glass 8 - 12 mm

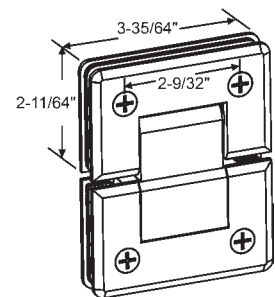
Beveled Edge



Part #	Finish
22-260BCH	Bright Chrome
22-260BNK	Brushed Nickel

Standard duty brass shower hinge, stainless steel, clear PVC gasket. Includes Philips screws, Allen screws and Allen key.
Glass to glass 135°
Suitable for glass 8 - 12 mm

Beveled Edge



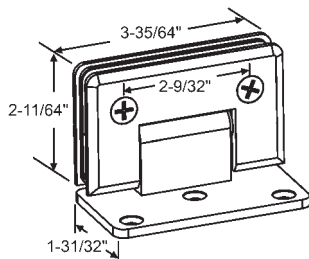
Part #	Finish
22-261BCH	Bright Chrome
22-261BNK	Brushed Nickel

Standard duty brass shower hinge, stainless steel, clear PVC gasket. Includes Philips screws, Allen screws and Allen key.
Glass to glass 180°
Suitable for glass 8 - 12 mm

SHOWER DOOR HINGES

Heavy Duty & Solid Brass

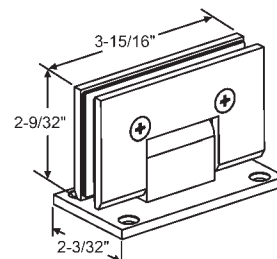
Beveled Edge



Standard duty brass shower hinge, offset back plate, clear PVC gasket. Includes Philips screws, Allen screws and Allen key. Wall to Glass 90° Suitable for glass 8 - 12 mm

Part #	Finish
22-259BCH	Bright Chrome
22-259BNK	Brushed Nickel

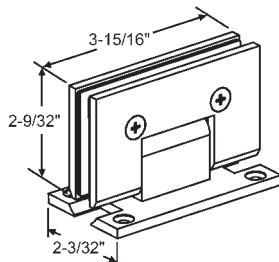
Square Edge



Solid brass shower hinge, heavy duty, standard full back plate, clear PVC gasket. Includes Philips screws, Allen screws and Allen key. Wall to glass 90° Suitable for glass 10 - 12 mm

Part #	Finish
22-246BCH	Bright Chrome
22-246BNK	Brushed Nickel

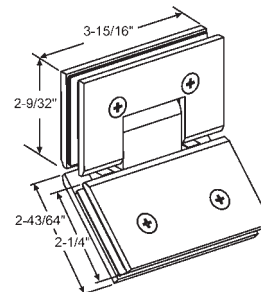
Square Edge



Solid brass shower hinge, heavy duty, H back plate, clear PVC gasket. Includes Philips screws, Allen screws and Allen key. Wall to glass 90° Suitable for glass 10 - 12 mm

Part #	Finish
22-246BCH-H	Bright Chrome
22-246BNK-H	Brushed Nickel

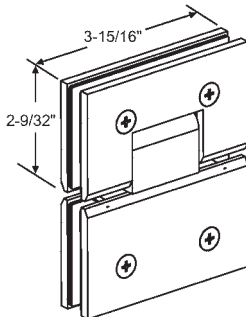
Square Edge



Heavy duty brass shower hinge, clear PVC gasket. Includes Philips screws, Allen screws and Allen key. 135° Glass to Glass Suitable for 10 - 12 mm glass

Part #	Finish
22-247BCH	Bright Chrome
22-247BNK	Brushed Nickel

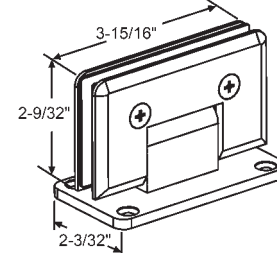
Square Edge



Heavy duty brass shower hinge, clear PVC gasket. Includes Philips screws, Allen screws and Allen key. 180° Glass to Glass Suitable for 10 - 12 mm glass

Part #	Finish
22-248BCH	Bright Chrome
22-248BNK	Brushed Nickel

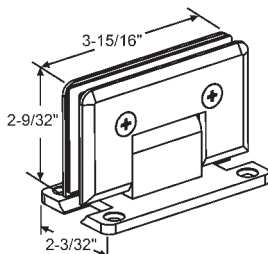
Beveled Edge



Solid brass shower hinge, heavy duty, full back plate, clear PVC gasket. Includes Philips screws, Allen screws and Allen key. Wall to glass 90° Suitable for glass 10 - 12 mm

Part #	Finish
22-269BCH	Bright Chrome
22-269BNK	Brushed Nickel

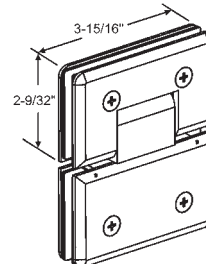
Beveled Edge



Solid brass shower hinge, heavy duty, H back plate, clear PVC gasket. Includes Philips screws, Allen screws and Allen key. Wall to glass 90° Suitable for glass 10 - 12 mm

Part #	Finish
22-271BCH	Bright Chrome
22-271BNK	Brushed Nickel

Beveled Edge



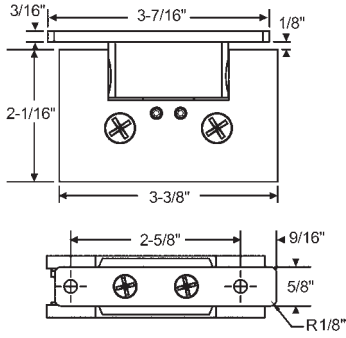
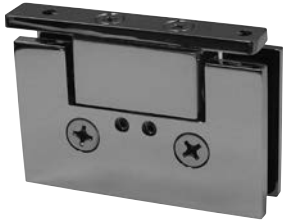
Solid brass shower hinge, heavy duty, clear PVC gasket. Includes Philips screws, Allen screws and Allen key. 180° Glass to Glass Suitable for 10 - 12 mm glass

Part #	Finish
22-270BCH	Bright Chrome
22-270BNK	Brushed Nickel

SHOWER DOOR GLASS CLAMPS

Adjustable Hinges

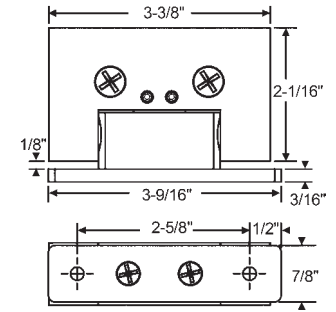
Square Edge



Adjustable Solid Brass Top Pivot Hinge
Solid Brass

Part #	Finish
22-301CH	Bright Chrome
22-301BN	Brushed Nickel

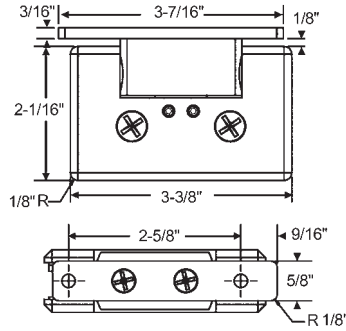
Square Edge



Adjustable Bottom Pivot Hinge Solid Brass

Part #	Finish
22-302CH	Bright Chrome
22-302BN	Brushed Nickel

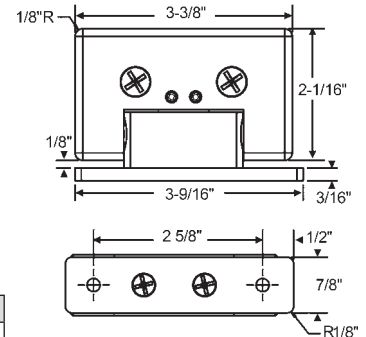
Rounded Edge



Adjustable Top Pivot Hinge with Radius
Corners & Chamfered Edges

Part #	Finish
22-303CH	Bright Chrome
22-303BN	Brushed Nickel

Rounded Edge



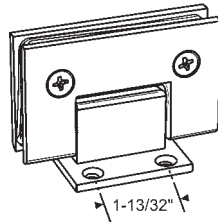
Adjustable Bottom Pivot Hinge Radius
Corners & Chamfered Edges

Part #	Finish
22-305CH	Bright Chrome
22-305BN	Brushed Nickel

SHOWER DOOR GLASS CLAMPS

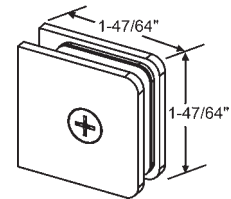
Glass Clamps

Square Edge



Part #	Finish
22-215CH	Bright Chrome
22-215BNK	Brushed Nickel

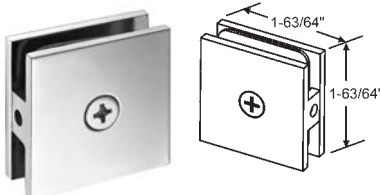
Rounded Edge



Part #	Finish
22-262CH	Bright Chrome
22-262BNK	Brushed Nickel

Brass shower glass clamp, clear PVC gasket.
Includes Philips screws, Allen screws and Allen key.
Wall to glass, hole-in-glass style.
Suitable for glass 8 - 12 mm.

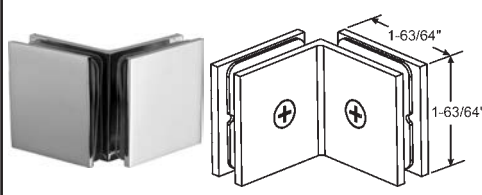
Square Edge



Solid brass shower glass clamp, clear PVC gasket.
Includes Philips screws, Allen screws and Allen key.
Wall to glass, hole-in glass style. Suitable for glass 8 - 12 mm.

Part #	Finish
22-257CH	Bright Chrome
22-257BNK	Brushed Nickel

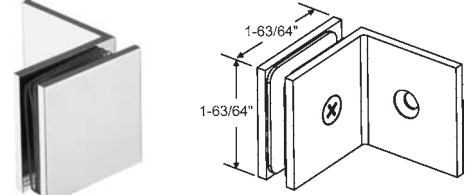
Square Edge



Solid brass shower glass clamp, clear PVC gasket.
Includes Philips screws, Allen screws and Allen key.
Glass to glass 90°
Suitable for glass 8 - 12 mm.

Part #	Finish
22-258CH	Bright Chrome
22-258BNK	Brushed Nickel

Square Edge

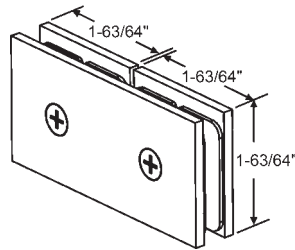


Brass shower glass clamp, clear PVC gasket.
Includes Philips screws, Allen screws and Allen key.
Wall to glass 90°, with large leg.
Suitable for glass 8 - 12 mm

Part #	Finish
22-263CH	Bright Chrome
22-263BNK	Brushed Nickel

SHOWER DOOR GLASS SEALING STRIPS

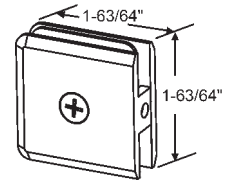
Square Edge



Part #	Finish
22-264BCH	Bright Chrome
22-264BNK	Brushed Nickel

Brass shower glass clamp, clear PVC gasket. Includes Philips screws, Allen screws and Allen key. Glass to glass 180° Suitable for glass 8 - 12 mm

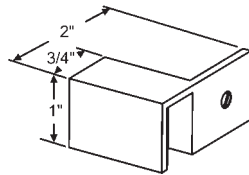
Beveled Edge



Part #	Finish
22-256BCH	Bright Chrome
22-256BNK	Brushed Nickel

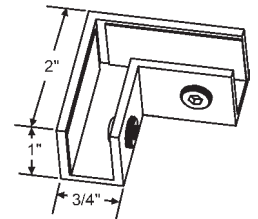
Solid brass shower glass clamp, clear PVC gasket. Includes Philips screws, Allen screws and Allen key. Wall to glass, hole-in glass style. Suitable for glass 8 - 12 mm

SHOWER DOOR GLASS SLEEVE OVER GLASS CLAMPS



Part #	Finish	Hand
22-265LBCH	Bright Chrome	LH
22-265RBCH	Bright Chrome	RH
22-265LBNK	Brushed Nickel	LH
22-265RBNK	Brushed Nickel	RH

Shower sleeve over wall mount glass clamp Suitable for glass 8 - 12 mm

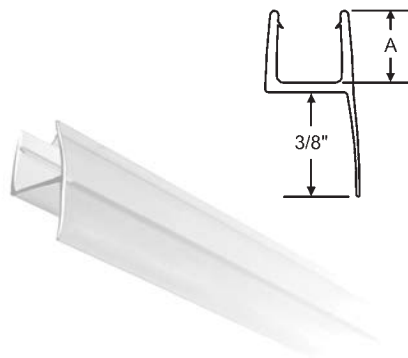


Part #	Finish
22-267BCH	Bright Chrome
22-267BNK	Brushed Nickel

Shower sleeve over glass clamp Glass to glass 90 degree Suitable for glass 8 - 12 mm

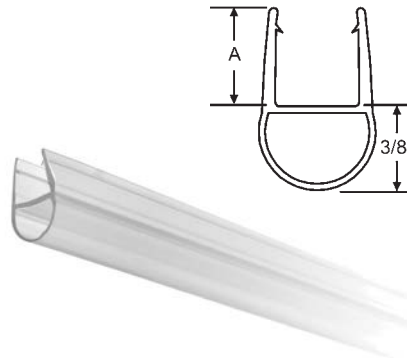
SHOWER DOOR GLASS SEALING STRIPS

Sold by Length - 96" Length, Minimum 12 Lengths



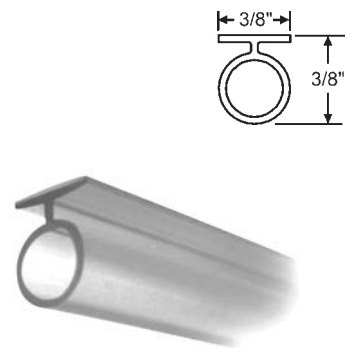
Part #	Glass Thickness	A
22-280	10 mm	3/8"
22-281	12 mm	1/2"

PVC seal strip, glass to glass, Size: 96"



Part #	Glass Thickness	A
22-282	10 mm	3/8"
22-283	12 mm	1/2"

PVC seal strip, glass to glass, Size: 96"

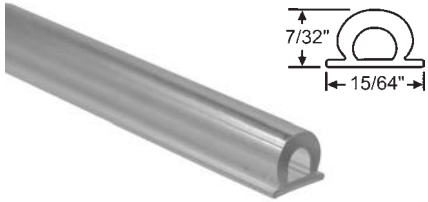


Part #	Glass Thickness
22-277	10 mm

PVC bulb seal strip for 3/8" (10 mm) Glass. Size: 96"

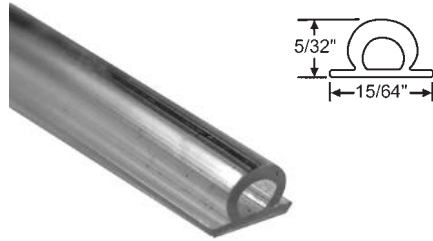
SHOWER DOOR GLASS SEALING STRIPS

Sold by Length - 96" Length, Minimum 12 Lengths



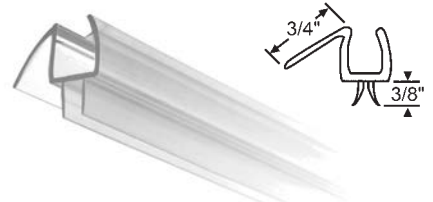
Part #
22-43

PVC Clear 7/32" 5.5ml



Part #
22-44

PVC Clear 5/32" 4ml Gap, Without Tap



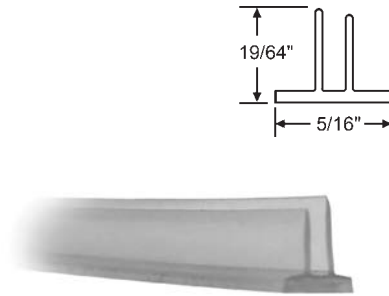
Part #	Glass Thickness
22-208	10 mm

PVC bottom seal strip, for 3/8" (10mm) glass. Size: 96"



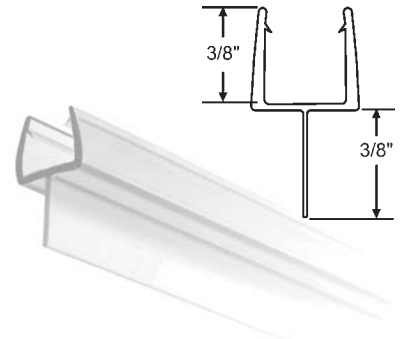
Part #	Glass Thickness
22-278	10 mm

PVC bulb seal strip for 3/8" (10 mm) Glass. Size: 96"



Part #	Glass Thickness
22-279	8 mm

PVC double fin seal for 5/16" (8 mm) glass. Size: 96"



Part #	Glass Thickness
22-276	10 mm

PVC bottom seal strip with 19mm drip rail. For 3/8" (10mm) glass. Size: 96"

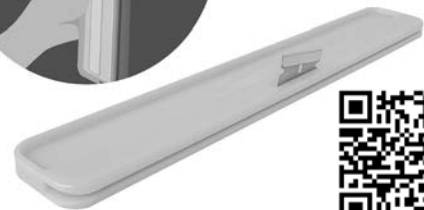
SWEEP\$AVER™ SOFT SEAL TRIMMER FOR SHOWER DOOR INSTALLATION

The tool is created to efficiently cut vinyl soft-leg water diverters and sweeps precisely to your desired height, thus creating the finishing touch to a custom shower door. The SWEEP\$AVER™ is designed to take a forty-minute job and cut it down to mere seconds, saving you time and money.

- (6) Different cutting adjustment positions in 1/16" increments
- Designed for both right and left hand users
- Lifetime Warranty
- Made in the USA



Easily Trim All Seals!



59-187

Dims: 12-5/8" x 7/16" x 1-15/16"
Weight: 3.5 oz. Material: ABS Polymer
Note: Razor Blade Not Included

59-187R

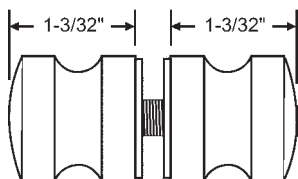
Box of 100 Razor Blades

The Only Trimmer in the Industry!

SHOWER DOOR HANDLES AND PULL KNOBS



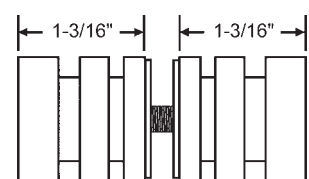
Part #	Finish
22-254BCH	Bright Chrome
22-254BNK	Brushed Nickel



Solid brass shower door pull set.

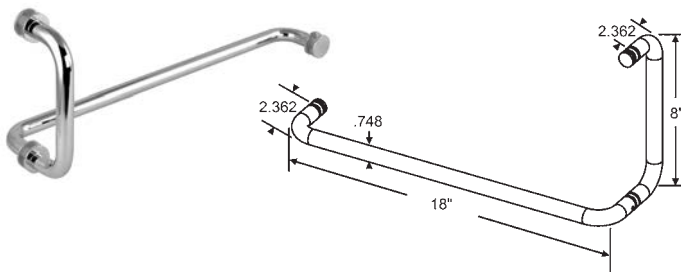


Part #	Finish
22-255BCH	Bright Chrome
22-255BNK	Brushed Nickel



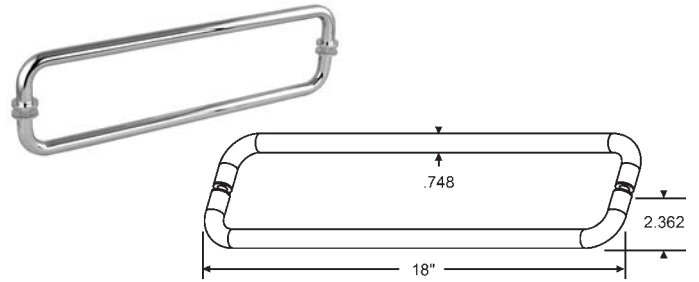
Solid brass shower door pull set.

SHOWER DOOR HANDLES AND PULL KNOBS



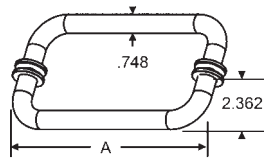
Part #	Finish
22-253BCH-8X18	Bright Chrome
22-253BNK-8X18	Brushed Nickel

Stainless steel shower door combo pull handle without stainless steel washers
Size: 3/4" x 8" x 18"(203 x 457 mm)
with PVC washer



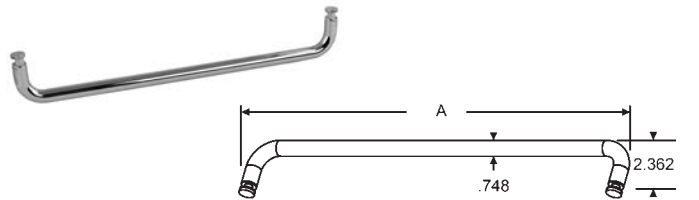
Part #	Finish
22-250BCH-18	Brushed Chrome
22-250BNK-18	Brushed Nickel

Stainless steel back to back fixing towel bars without metal washers
Size: Dia. 3/4" x 18"(C-C)
Sold in set.



Part #	Finish	A
22-250BCH-6	Bright Chrome	6"
22-250BNK-6	Brushed Nickel	6"
22-250BCH-8	Bright Chrome	8"
22-250BNK-8	Brushed Nickel	8"

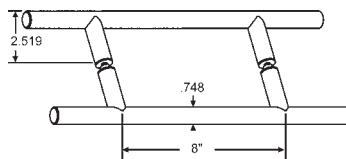
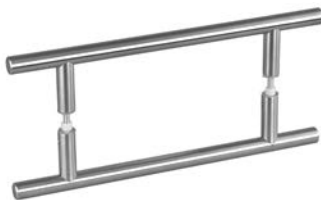
Stainless steel shower pull handles, with metal washers
Size: Dia. 3/4" x 6"(C-C)
Back to Back fixing
Sold in set.



Part #	Finish	A
22-252BCH-18	Bright Chrome	18"
22-252BNK-18	Brushed Nickel	18"
22-252BCH-24	Bright Chrome	24"
22-252BNK-24	Brushed Nickel	24"

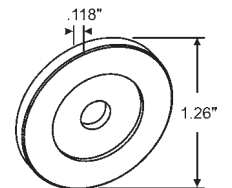
Stainless steel single side towel bar, without metal washers

WASHER SET



Part #	Finish
22-251BCH-8	Bright Chrome
22-251BNK-8	Brushed Nickel

Stainless steel shower pull handles
Size: Dia 3/4" x 8"(C-C) x 12" (total length)
Back to back fixing



Part #	Finish
22-266BCH	Bright Chrome
22-266BNK	Brushed Nickel

Stainless steel metal washer kit for 19 mm tube
4 piece metal washer and 4 piece PVC washer

MILDEW RESISTANT SILICONE SEALANT

Ask About our Pallet Program and Free Freight



- 100% RTV Silicone
- Mildew Resistant
- General Purpose
- Permanently Elastic
- Watertight & Airtight
- Excellent Adhesion to Glass, Ceramic, Porcelain, Metals, Wood & Many More
- Easy to Apply & Easy Clean-up
- UV Resistant
- VOC Compliant
- Cartridge Colors: Clear, White
- Meets ASTM C-920, Type S, Grade NS, Class 25

Part #	Finish
59-172	White
59-173	Clear

Packed 12 Tubes per Case.

GLIDING SHOWER DOOR SYSTEM

The Gliding Shower Door System uses top quality stainless steel ball bearing wheels that glide quietly and effortlessly across the sturdy rectangular header. It provides a stylish yet affordable option when installing a sliding shower door.

The minimalistic hardware and sleek design creates a frameless look that is much more aesthetically pleasing than traditional framed sliders.

The Gliding Shower Door System is designed to work with 5/16" to 3/8" thick tempered glass.



Product Features:

- Durable Stainless Steel Construction
- 4 Ball Bearing Wheels Provide Security and Smooth, Quiet Operation
- Minimalistic Styling
- Fixed and Gliding Panel are Reversible for Installation
- Available in Polished or Brushed Finish
- Accommodates Glass Thickness from 5/16" to 3/8"
- Maximum Door Size of 30"
- Maximum Door Weight of 88 lbs.
- Compatible with Glass Return Panel
- All Installation Hardware Included Except Clamps or Channel for Fixed Panel
- Comprehensive Instructions Including Glass Fabrication Cut-Out Available
- Design Assistance Available

Part #	Finish
22-268BCH	Bright Chrome
22-268BNK	Brushed Nickel

Kit Includes:

- Rollers x 2
- Stopper x 1
- L-Seal x 1
- Wall Mount x 2
- Header Tube x 1
- Door Pull x 1
- Adjustable Header Mount x 2
- Fixed Panel Mount x 2
- Door Guide x 1
- Installation Hardware x 1

*Components Available Separately

